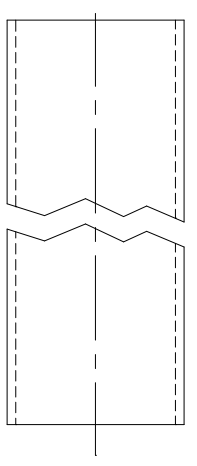
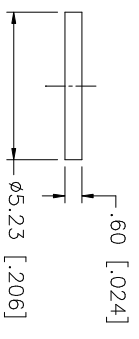
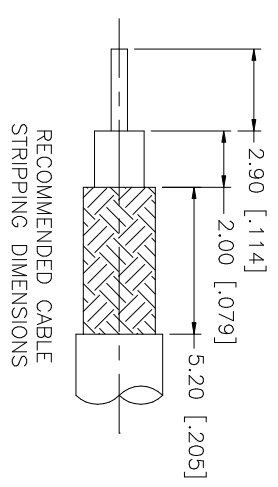
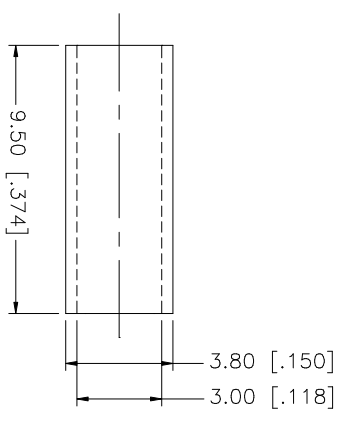
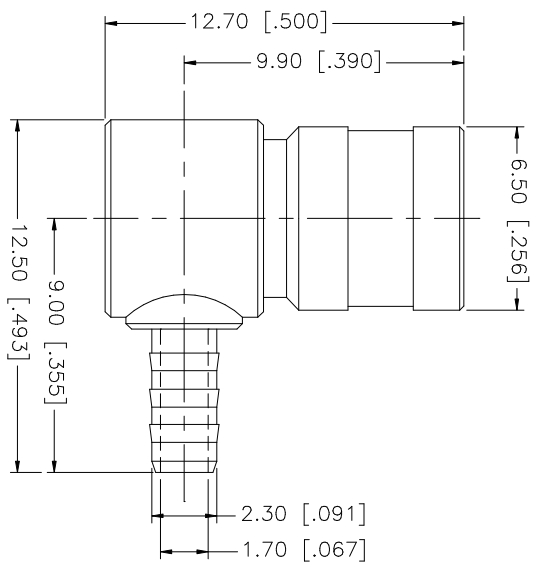


REV.	DATE	DESCRIPTION
NC	02/24/03	INITIAL RELEASE



(HEAT SHRINK)

- NOTE:
1. CRIMPED FERRULE  
HEX CRIMP SIZE .128"
  2. CONTACT PIN TO SOLDER

QTY	DESCRIPTION	MATERIAL	FINISH	DO NOT SCALE DRAWING	APPROVALS	DATE	PART DESCRIPTION
1	HEAT SHRINK TUBE				G.R.S.	02/24/03	<b>Amphenol Connex</b> SMB R/A CRIMP PLUG (FOR RG-174/U, 188A/U, 316/U CABLE)
1	COVER	BRASS	GOLD	UNLESS OTHERWISE SPECIFIED DIMENSIONS ARE IN MILLIMETERS. DIMENSIONS IN [ ] ARE IN INCHES AND FOR CUSTOMER REFERENCE ONLY. TOLERANCES FOR MILLIMETERS ARE: 0.5 - 8mm ± 0.20mm 8 - 30mm ± 0.40mm 30 - 120mm ± 0.50mm	CHECKED		
1	FERRULE	COPPER	GOLD	UNLESS OTHERWISE SPECIFIED DIMENSIONS ARE IN MILLIMETERS. DIMENSIONS IN [ ] ARE IN INCHES AND FOR CUSTOMER REFERENCE ONLY. TOLERANCES FOR MILLIMETERS ARE: 0.20 - .315 = ± 0.007" .315 - 1.180 = ± 0.015" 1.180 - 4.724 = ± 0.020"	ISSUED		
1	CONTACT PIN	BER. COPPER	GOLD		SHEET	1 OF 1	
1	INSULATOR	TEFLON	NATURAL				
1	BODY	BRASS	GOLD				
1	HOUSING	DIE CAST	GOLD				
	DESCRIPTION	MATERIAL	FINISH	QTY	DO NOT SCALE DRAWING		

CAD FILE	C:/142/142194.DWG	DWG. NO.	142194.DWG	REV.	NC	SIZE	A	SCALE	NA
----------	-------------------	----------	------------	------	----	------	---	-------	----